



At the same time, there is an output indicated as **LED** to which we can connect an external LED indicator lamp (12V / 150mA max), so that the user is visually informed every time the window or door is in motion. An external buzzer can be connected to the same output.

Programming of remote controls

- Press the WinCon20 button once, in order to enter programming mode.
- The buzzer onboard starts sound slow and intermittent and the LED **RUN** lits permanently.
- Press one of the **^** or **v** buttons on the remote controller, until you'll hear the buzzer sounds permanently for 1 second. This will mean that the current remote controller address is been programmed in WinCon20 memory.

The programming mode will terminate automatically after 15 seconds, unless a Somfy remote button will be pressed again, extending the process for another 15 seconds.

WinCon20 can be programmed and accept commands from up to 80 different Somfy remote controllers, while the same remote controller can be programmed on as many WinCon20 devices as you wish.

Delete of remote controls

- Press and hold the WinCon20 button for 5 seconds.
- Release the button when you'll hear the buzzer onboard starts sound fast and intermittent.
- The buzzer onboard will continue sounds with the same rhythm for the next 5 seconds.
- When the buzzer stops sound then it means that all remote controls deleted from WinCon20 memory.

Electrical fuses

Electrical and electronic circuits are protected by the use of a built-in replaceable fuse.

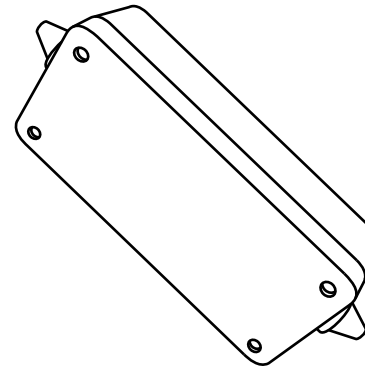
- ◆ **Fuse F1 (Fuse 10A)** General protection fuse at 230Vac supply voltage level.

Technical Characteristics

Power supply	85-264 V AC / 100-370 V DC
Stand by current consumption	500mW max
Motor type	Single phase motor (compatible with Somfy motors)
Motor power	450W max
Solenoid power	12V / 2A max
LED output power	12V / 150mA max
Inputs current consumption	12V / 5mA max
Built-in buzzer	85dB
Temperature	70 °C max
Plastic enclosure dimensions	189 x 89 x 50mm, ABS

In order to have always the latest version of this document, please visit our web site.

Archigenous ♦ 9 P.C. 57019 ♦ Neoi Epivates ♦ Thessaloniki ♦ Greece
(+30) 23923 05232 ♦ info@diagnonic.com ♦ www.diagnonic.com



WinCon20

General Characteristics

- ◆ **Power supply**
86-264Vac
- ◆ **Inputs**
 - Terminal open/close commands
 - Wireless open/close commands
 - Open terminal switch
 - Close terminal switch
 - Obstacle detector
- ◆ **Outputs**
 - Single phase motor (450W max)
 - Open solenoid (2 max)
 - Close solenoid (2 max)
 - External Indicator (12Vdc/150mA max)
- ◆ **User interface**
 - Motor working time trimmer (10sec - 5min)
 - Buzzer enable switch
 - Solenoid delay on switch (0.5 or 3.0sec)
 - Obstacle auto opening setting switch
 - Button for programming of remote controllers
- ◆ **Indicators**
 - Inputs/outputs LEDs and RUN LED
 - Buzzer onboard
- ◆ **Enclosure**
 - Plastic ABS

Description

WinCon20 is a wireless retractable windows and doors controller. Both open and close commands can be given by the pressure of the appropriate buttons. The movement stops when the door or window reaches the open or close terminal switch. If an obstacle found during close direction, then the movement switches automatically to open direction.

WinCon20 is placed in a plastic box that on both sides are provided rubber seals for the passage of connection cables. The device can receive open and close commands wirelessly, and it is also compatible with Somfy remote controls.



SAFETY INSTRUCTIONS

WHEN YOU USE THIS ELECTRONIC DEVICE, YOU MUST ALWAYS TAKE INTO ACCOUNT IMPORTANT ISSUES RELATING TO YOUR SAFETY AND TO THE SAFETY OF YOUR DEVICE

READ CAREFULLY AND FOLLOW THE SAFETY INSTRUCTIONS

- ◆ This device should only be used by highly trained personnel as instructed in this user manual.
- ◆ The device is not portable and works in conjunction with a 230Vac power supply.
- ◆ The device has several connection points for which sufficient information is provided in the following pages of this user manual.
- ◆ Protect the device from dust, water or other liquids because it is not waterproof.
- ◆ The manufacturer guarantees the correct operation of the device when operating in the temperature range up to 70 ° C.
- ◆ Never leave the device exposed to sunlight.
- ◆ You should never make any operation/fixing to any part of the device such as fix cables or modify the other circuits.
- ◆ Any use of the device in a manner other than that described in this user manual, any unauthorized operation, or any failure not resulting from proper use of the device, voids the warranty of the device.
- ◆ In case of a problem, contact the manufacturer. www.diagnonic.com



Disposal of this product should be done only in special disposal bins of electronic devices.

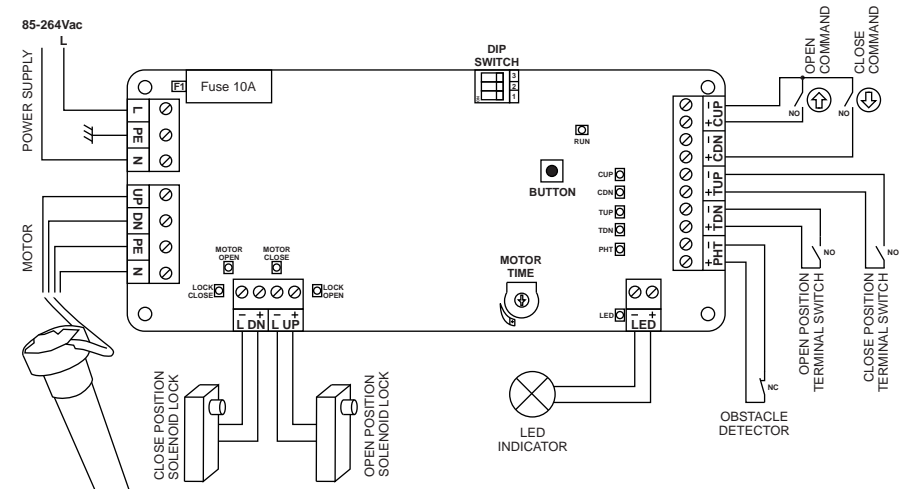


CAUTION! THIS DEVICE IS CONNECTED WITH A POWER SUPPLY. BE SURE THAT POWER SUPPLY CABLES ARE ALWAYS IN GOOD CONDITION.



Connections

To complete the electrical connections, follow the wiring diagram below.



Note that on the right terminal block (inputs), all terminals marked "-" are common. Also in the solenoids terminal block all terminals marked "+" are common.

Settings

The electronic board provides some simple functionality settings.

- ◆ **Trimmer MOTOR TIMER** Turning it to the "+" indication increases the allowable motor running time. The minimum setting is 10sec and the maximum 5min. If the movement time exceeds the time of this setting, then the operation stops automatically. By factory setting this is set to 5min.
- ◆ **Dip Switch 1** Setting the microswitch with the number "1" to the ON position activates the function of the built-in buzzer, which sounds when the door or window moves. This factory setting is set to OFF.
- ◆ **Dip Switch 2** Each time the door/window reaches one of the two terminal ends, the corresponding solenoid is activated to hold it. Using the microswitch with the number "2" we select the time that will mediate from the stop of the movement until the activation of the solenoid. By setting it to the ON position we select a time equal to 3sec. By default, this setting is set to OFF which means 0.5sec.
- ◆ **Dip Switch 3** If during the closing direction there is an obstruction of the movement (interruption at the "PHT" terminal block), then the movement is interrupted and an automatic opening is performed. By setting the microswitch with the number "3" in the OFF position we select the automatic opening time at 3sec, while setting it in the ON position, we select automatic opening until the opening end.

Indicators

On the surface of the electronic board there are built-in LEDs, which show the operation of each input and output. There is also an LED with the **RUN** indicator that flashes in normal operation, while if the movement stops automatically due to the setting of the Trimmer MOTOR TIME or due to obstruction during closing, it lights up permanently informing about the error. The indicator will remain lit until the next operation command.