



LED (12V/150mA max), WinCon20, Somfy, LED RUN

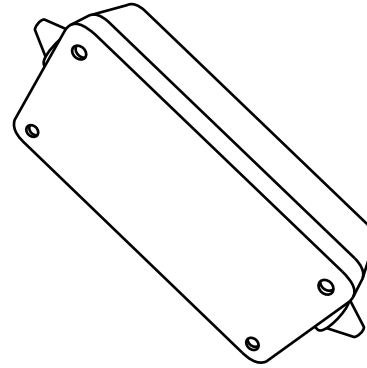
WinCon20, Somfy, LED RUN, WinCon20

LED RUN, WinCon20, Somfy

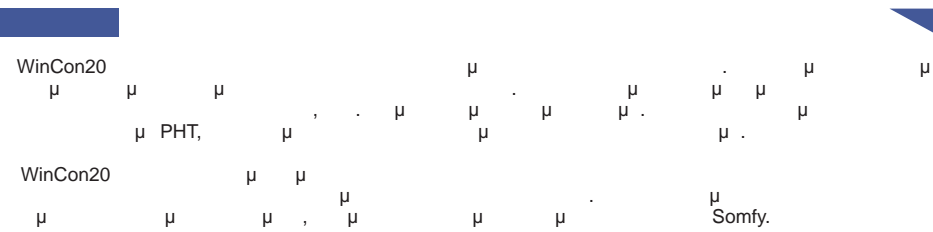
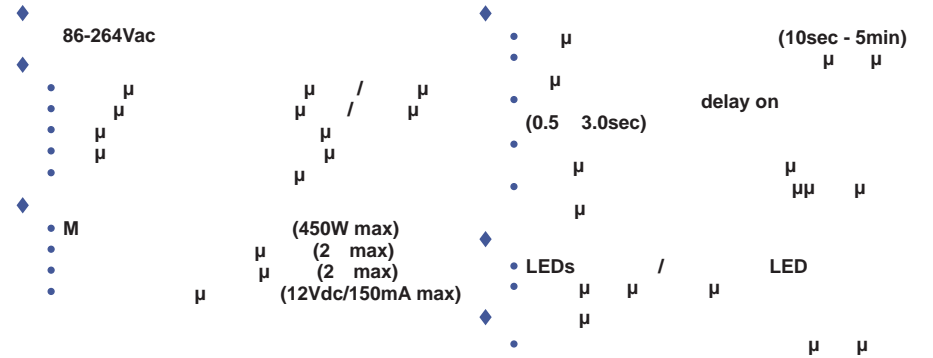
F1 (Fuse 10A), 230Vac.

85-264 V AC / 100-370 V DC
500mW max
( μ Somfy)
450W max
12V / 2A max
LED 12V / 150mA max
12V / 5mA max
85dB
70 °C max
189 x 89 x 50mm, ABS

9 ♦ . 57019 ♦  
 (+30) 23923 05232 ♦ [info@diagonnic.com](mailto:info@diagonnic.com) ♦ [www.diagonnic.com](http://www.diagonnic.com)



# WinCon20





!!!

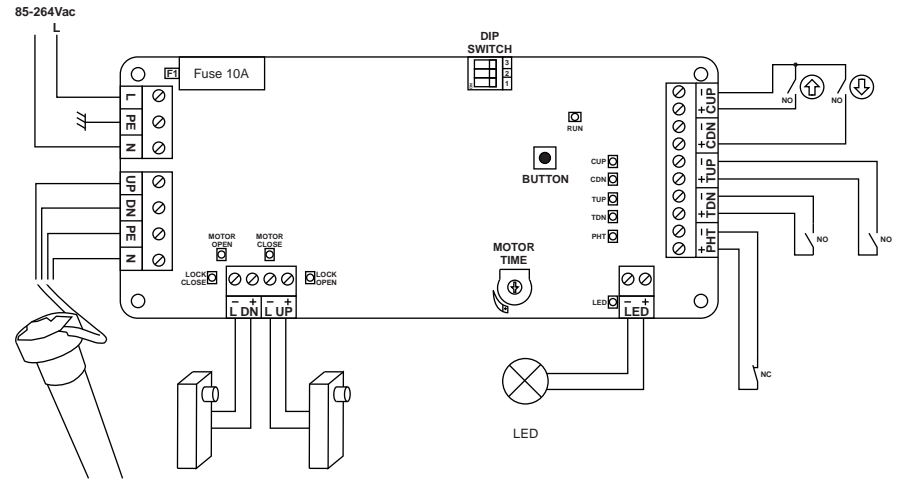
230Vac.  
 70°C.  
[www.diagonnic.com](http://www.diagonnic.com)



230V AC.



μ



μ

◆ Trimmer MOTOR TIMER

"+" μ 10sec μ 5min.  
 μ 5min.

◆ Dip Switch 1

"1" μ ON μ OFF.

◆ Dip Switch 2

"2" μ ON μ 3sec.  
 μ OFF, μ 0.5sec.

◆ Dip Switch 3

"PHT"), μ ( μ "3" μ OFF μ ON,  
 μ 3sec, μ ON,

LED μ LED μ RUN μ Trimmer MOTOR TIME